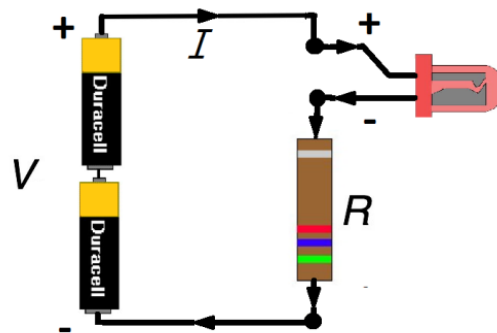
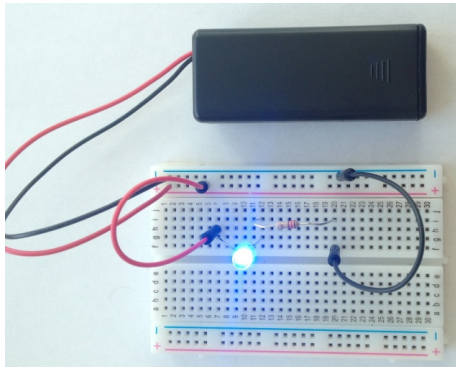


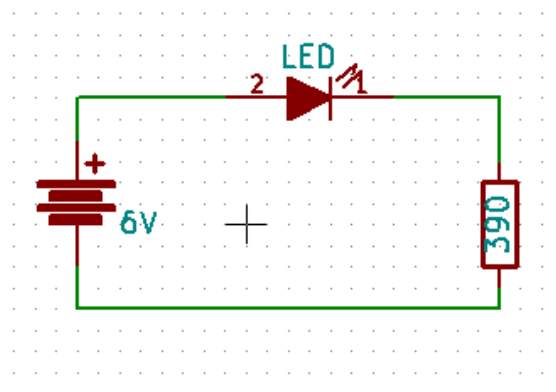
TechResort Cheat Sheet

Understanding Circuit Diagrams

- Circuit Diagrams help us to describe and specify electronic circuits in a simple and consistent manner.
- Here's how we might have shown you a simple LED circuit with a resistor and battery:

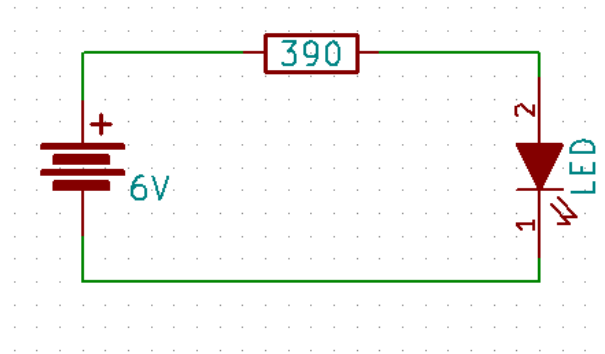


- Below is a circuit diagram for a similar circuit. The +ve lead of the battery is connected to the +ve leg of the LED. The -ve leg of the LED is connected to one end of the resistor and the other end of the resistor is connected to the -ve lead of the battery (in this case a 6 Volt battery). The resistor is shown as a rectangular block with its value in (390 Ohms here).

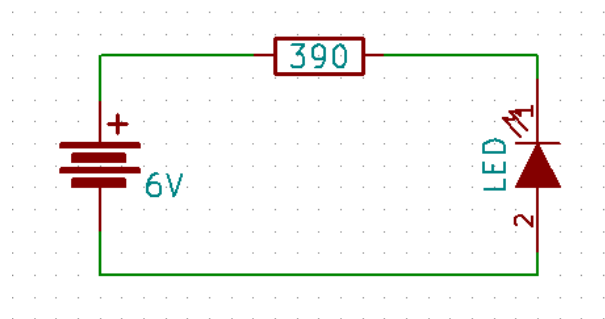


- We don't include the wire we used in the above diagram, it's just there to make sure the right parts of the circuit are connected together in the way that the diagram shows. It's up to you to decide exactly how to do that!

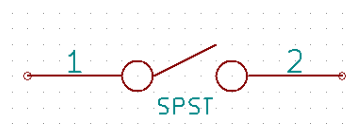
- The circuit below is different, but it works just as well. The LED should still light up because the same current is flowing through the LED and the resistor.



- On the other hand, the LED in this one won't light up. It's the wrong way round!



- The circuit diagram symbol for a simple push button switch looks like this:



- The circuit below lights the LED when the switch is pressed:

